

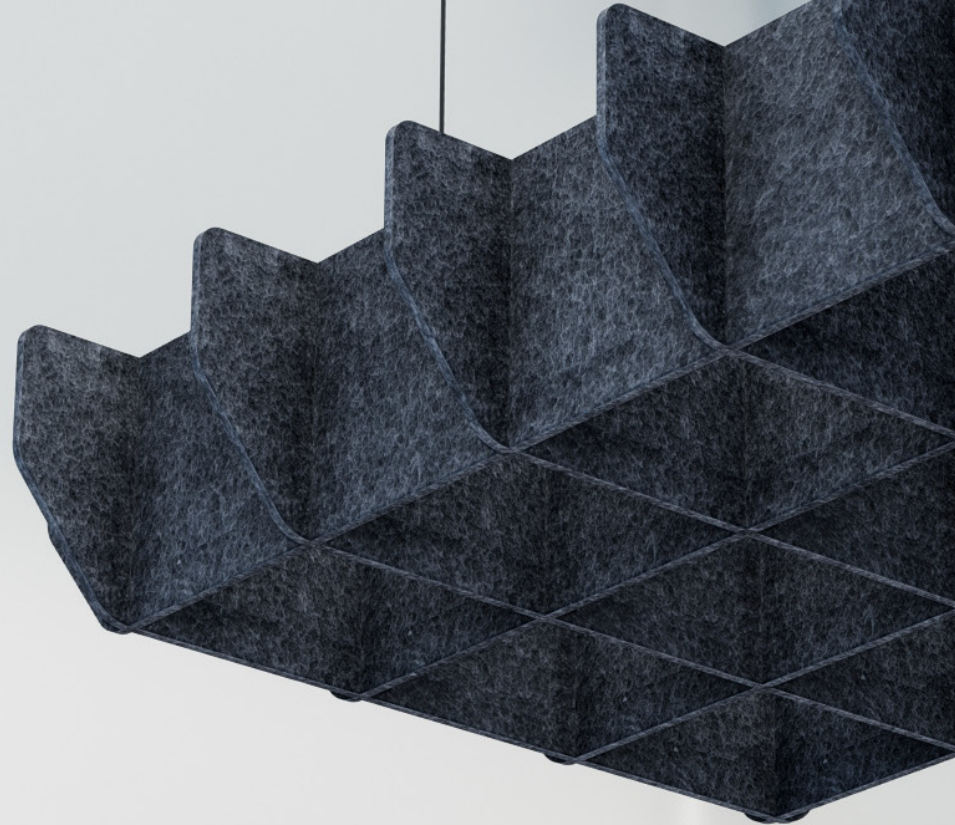


# PITCH LATTICE CEILING CLOUD

...

## INSTALLATION GUIDE

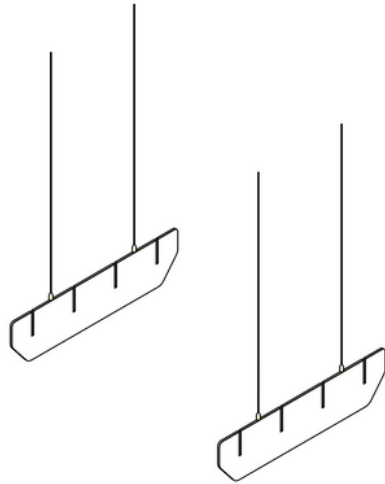
Solving  
Sound  
With  
Design



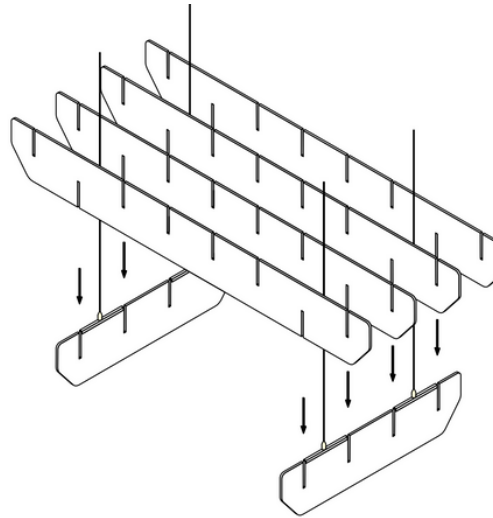
Contact us or visit our website  
to redesign how your space sounds

[WWW.OSONIC.COM](http://WWW.OSONIC.COM)  
(732) 659 9262

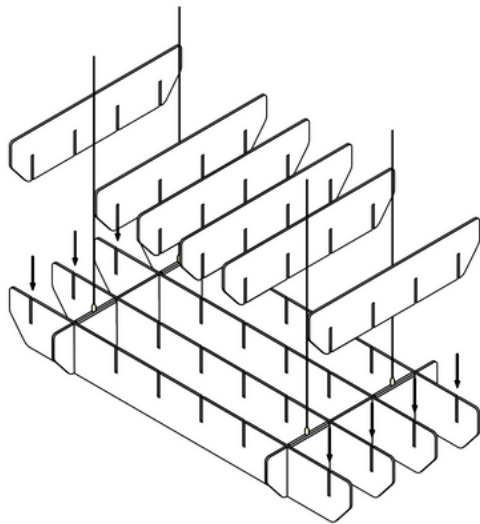
1 - Suspend 2 long Baffles



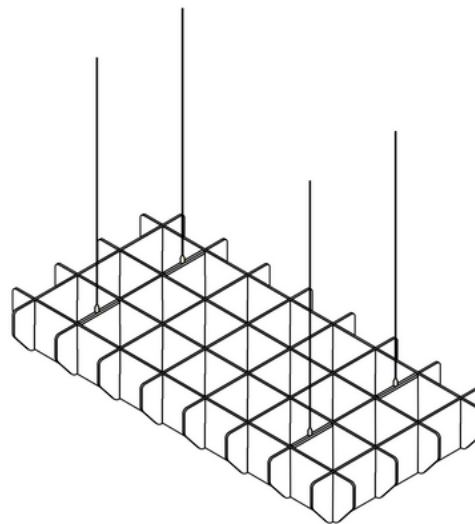
2 - Slot In Long Baffles



3 - Slot in Short Cross Beams



4 - Finished Waves Grid Lattice



## PITCH CEILING ASSEMBLY

### TOOLS REQUIRED

Spirit Level/Laser Level

### STEPS

#### 1 - Suspend 2 long Baffles

Suspend the 2 Short baffles with channel and slots pointing upwards. (See Sus-Kit Guide) using a laser level make sure pieces are in line, level and 1500mm apart.

#### 2 - Slot In Long Baffles

Slot the long baffles into the 2 suspended short baffles.

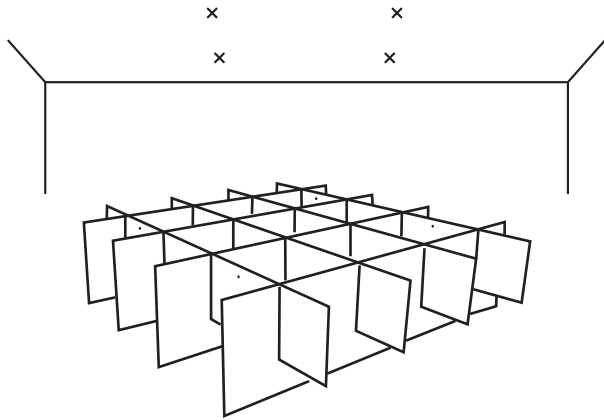
#### 3 - Slot in Short Cross Beams

Slot in the remaining short cross beams to complete the grid lattice.

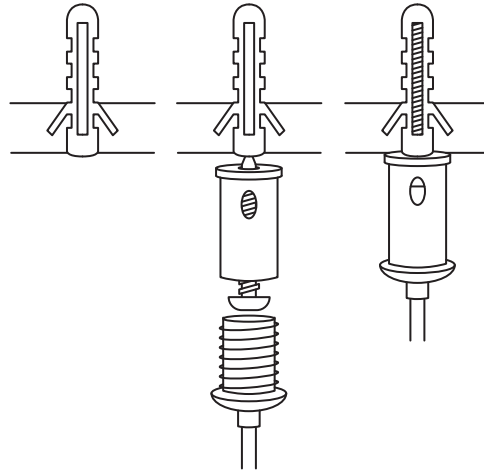
#### 4 - Finished Waves Grid Lattice

Assembly complete.

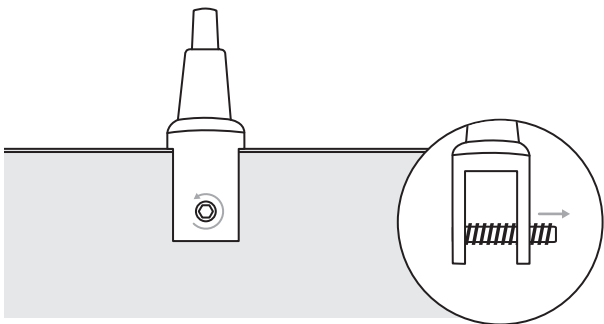
### 1 - MARK THE CEILING



### 2 - SCREW INTO THE CEILING



### 3 - ATTACHING THE CONNECTORS



## SUSPENSION KIT INSTALLATION

### TOOLS REQUIRED

Spirit Level/Laser Level  
Pliers  
Power Drill (Optional)

### STEPS

#### 1 - MARK THE CEILING

Measure and mark the ceiling, using the holes in the Baffle as a reference. Ensure your markings align with the holes in the Baffle.

#### 2 - SCREW INTO THE CEILING

Drill 5/32" hole until you break through drywall and insert drywall anchor.

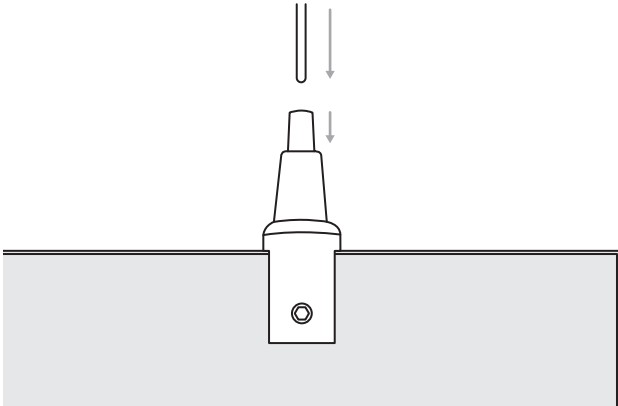
Attach base to drywall anchor using the provided screw.

Screw the ceiling component of the cable into the base.

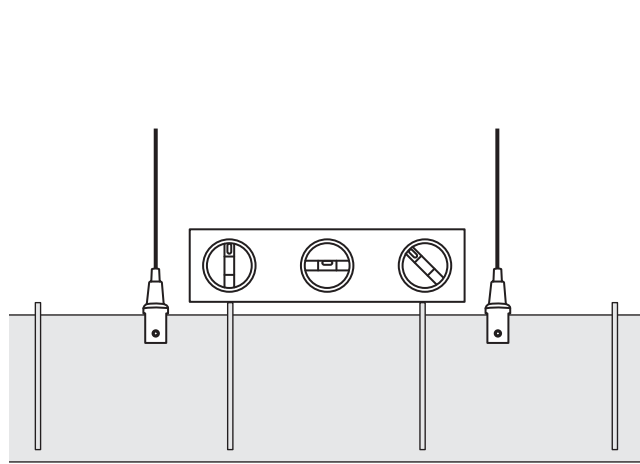
#### 3 - ATTACHING THE CONNECTORS

Attach the Baffle connectors by backing out the internal threaded bolt, sliding the connector over the pre-drilled hole, and tightening the screw within the connector.

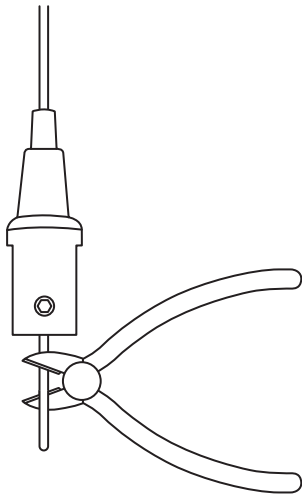
#### 4 - INSERT THE CABLE



#### 5 - LEVEL IT OUT



#### 6 - Finished Sus-Kit Installation



## SUSPENSION KIT INSTALLATION

### TOOLS REQUIRED

Spirit Level/Laser Level

Pliers

Power Drill (Optional)

### STEPS

#### 4 - INSERT THE CABLE

Measure and cut the cable to your desired length, leaving "1"-3" extra length for adjustments. Line up the cable with the baffle connector and insert the cable by simultaneously pushing the spring-loaded top component and sliding the wire into the connector. Repeat each step for each cable.

#### 5 - LEVEL IT OUT

Make sure the baffle is leveled by adjusting the baffle connectors.

#### 6 - Finished Sus-Kit Installation

The 1"-3" extra length for adjustments can now be cut depending on your desired outcome.



# PITCH LATTICE CEILING CLOUD

Solving Sound With Design



Transform Your Space With Acoustic Innovation

[www.OSONIC.com](http://www.OSONIC.com) | (732) 659 9262